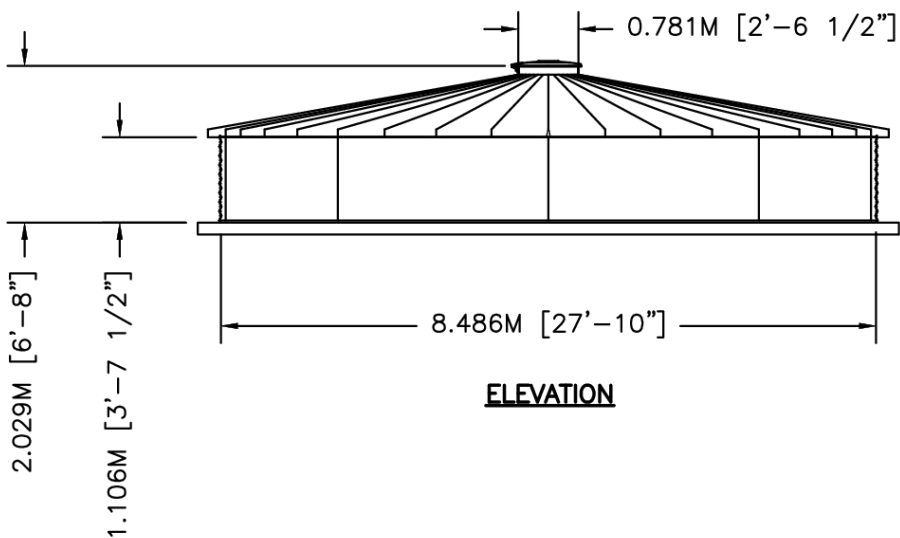


**PLAN**



**ELEVATION**



	BY	DATE
DWN	XXX	XX/XX/XX
CKD		
ENG		

TITLE		WTU09-01 30"PR 10DEG V-RIB	
		NOMINAL CAPACITY - 55.312 M3 [14,612 GAL]	
DWG. NO.	SCT2701-LVR	WTU09-01	REV. NO.
SIZE:	A	SCALE: 1/8"=1'-0"	SHEET 1 OF 1